

PISTON REPLACEMENT AND AIR CONTROL VALVE REPLACEMENT INSTRUCTIONS

This instruction outlines the procedure for replacing the 2006 to current Piston on an Air Control Valve used in the Watkins Spas.

Tools Required:

Safety Glasses
Duct Tape
PVC Glue

Needle Nose Pliers
Dremil Tool or Cutting Shears

Safety Requirements: *Safety Glasses must be worn at all time during this procedure.*

PISTON

Removal:

1. Power down the spa.
2. Ensure that the air control valve is turned off.
3. Place your fingers around the edge of the lever and pull upward to remove it. Set lever aside.
4. Align needle nose pliers with the holes on the threaded cap and turn counterclockwise to remove it. Set threaded cap aside.
5. Firmly grasp the top of the piston and pull it up and out.

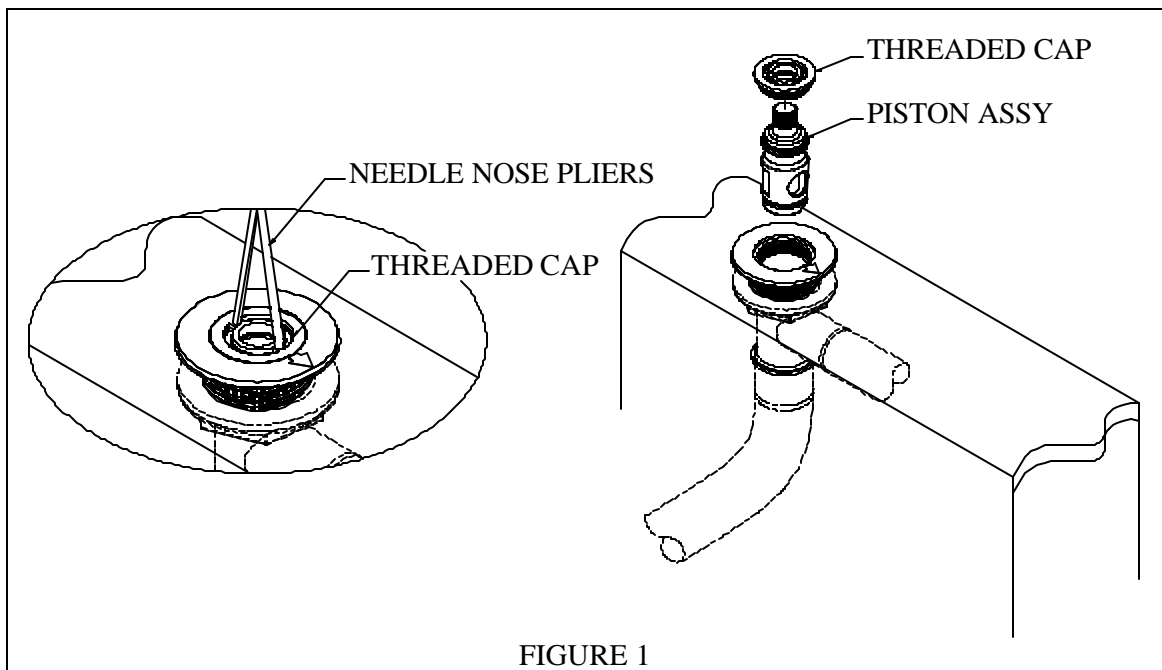
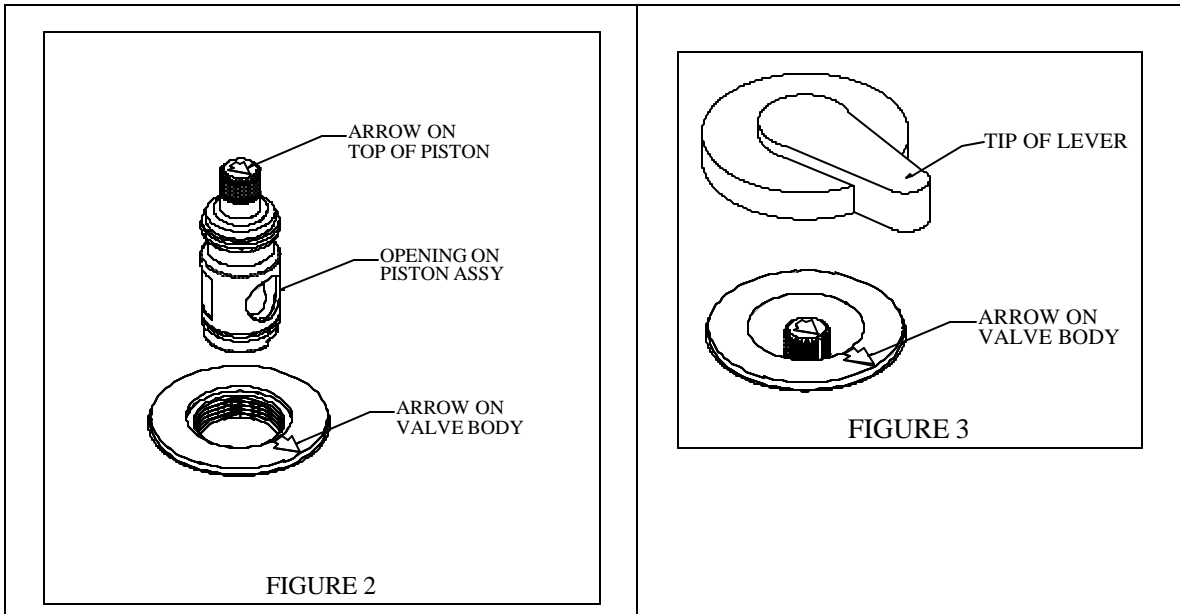


FIGURE 1

Installation:

1. Align the arrow on top of the piston and opening of the piston with the arrow on top of the valve body. See Figure 2 on next page.
2. Push the piston into place inside the valve body.

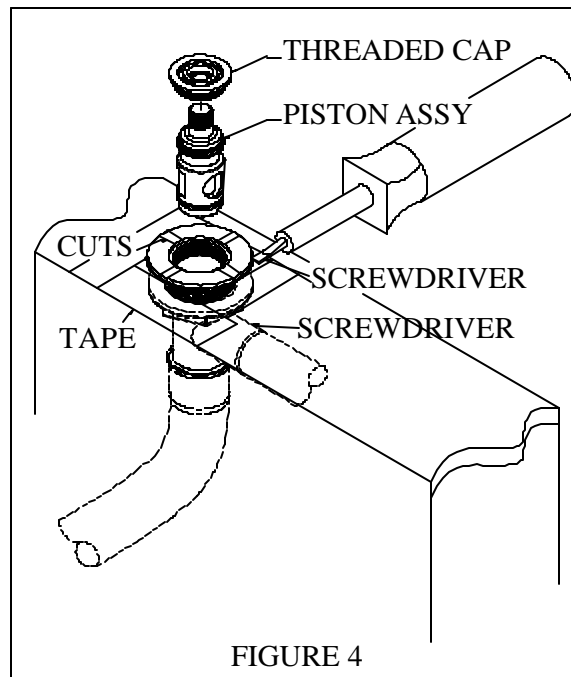
3. Align the tip to of the lever over the arrow on the valve body and press the lever into place. See Figure 3 on next page.



AIR CONTROL VALVE

Removal:

1. Power down the spa.
2. Ensure that the air control valve is turned
3. Place your fingers around the edge of the lever and pull upward to remove it. Set lever aside.
4. Remove the piston as called out above.
5. Remove the applicable panel.
6. Using duct tape, mask around the air control valve as to protect the bartop from damage. See Figure 4.
7. It is necessary to cut the top of the air control collar with either a cutting shears or a Dremil tool.
8. Use a screwdriver to break the collar of the air control valve. The collar needs to be removed completely so that the air control valve can be pulled through the shell.
9. Under the bartop, firmly grasp the air control valve and pull it through opening.
NOTE: THERE WILL BE WATER IN THE LINES FOR THE NEXT STEPS. IF NECESSARY, POWER UP THE SPA AND TURN ON THE APPLICABLE PUMP TO DRAIN THE LINE.
10. Refer to the coordinating service manual for replacement parts. It will be necessary to cut the manifold with either a hack or rope saw. Additionally, cutting the airline may also be required.



Installation:

11. Slip the gasket onto the air control valve. See Figure 5.
12. Install the body of the air control valve through the opening in the bartop and secure in place by tightening the nut.
13. Under the bartop, glue the socket to the body of the air control valve.
14. Insert the piston and ensure that the alignment of the arrows on the piston and the air control valve are true. Secure piston in place with threaded cap and press lever into place.
15. Glue the applicable couplings, manifolds, and tubing.

NOTE: The new air control should be in the same position to operate the applicable seat.

16. Power up the spa and test the repaired air control valve.

