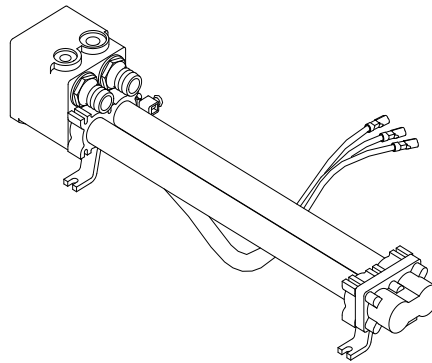


No Fault[®] PDR Heater Retrofit 1995 - Current

NOTE: 1995 – 1996
Require the proper
Heater Cord set to plug
into the Heater receptacle



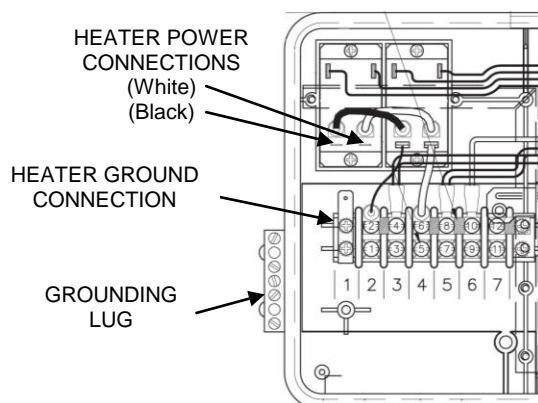
No Fault[®] PDR
Heater

Service Note: The PDR Heater is used to retrofit all No Fault 6000 and Tri-Bend heaters. Some spa models may require extending the ¼" bleed line hose. ¼" vinyl tubing, one coupler, and hose clamps are provided in the service kit.

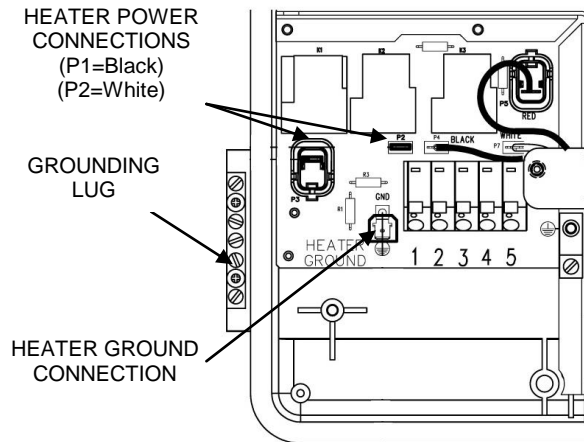
1. Disconnect power to the spa and access the equipment compartment.
2. Clamp heater water lines and remove from heater.
3. Disconnect the heater wires from the control box, remove thermistors from heater but leave plugged into control box.
4. Disconnect the copper bonding wire from the heater. Allow the other side of the bonding wire to remain attached to the CONTROL BOX.
5. Remove the heater from the equipment compartment.
6. Install the new heater into the equipment compartment, and install thermistors. Connect water lines removed in step 2.
7. Connect replacement heater using the applicable illustration below.

IMPORTANT - IQ2020 Control Box Only: If the IQ2020 Control Box has a P34 Connector, Bypass Jumper (PN 72768) must be installed.

1997 - 2000 IQ2000



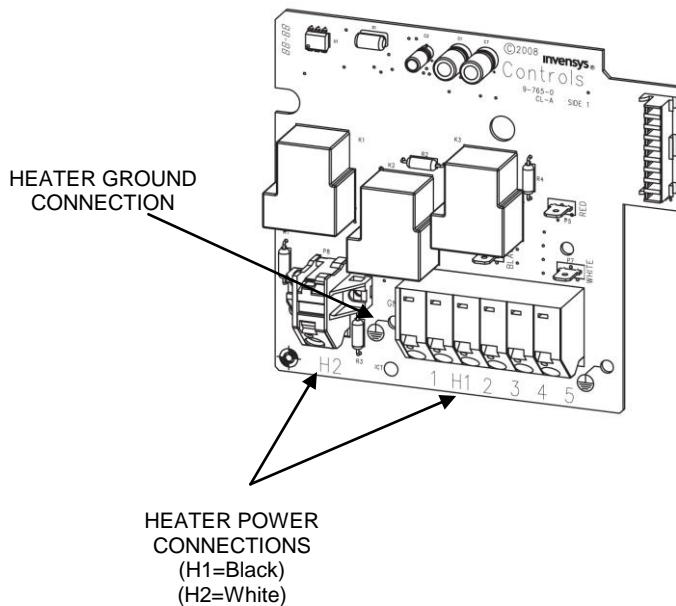
**2001 - 2002
IQ2020**



**Original OEM
Configuration**

NOTE: When connecting to newer style board below, cut the heater power spade connectors at the end of the heater wires off and twist wires before inserting them into H1 & H2 of the terminal block. **DO NOT** cut off green ground wire connector.

2001 - 2008



**Replacement Board
Configuration**